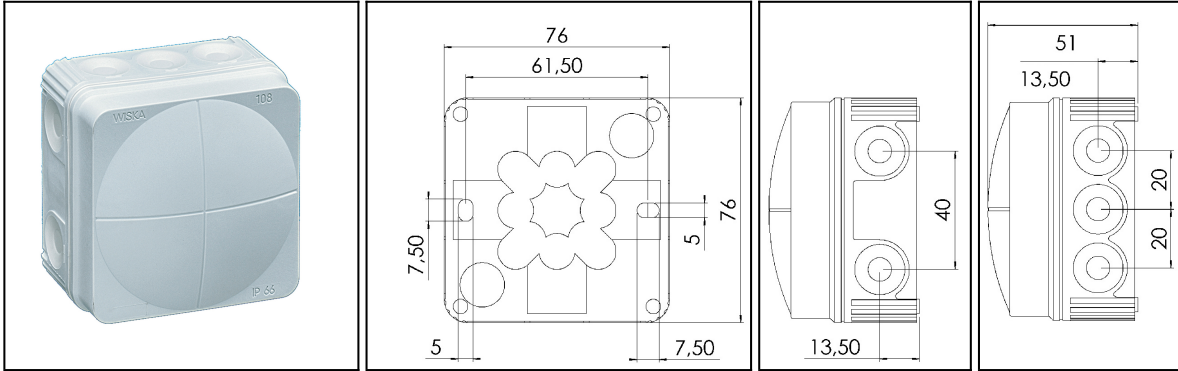


COMBI 108



Protection class to EN 60 529:

IP 66

Flame protection:

glow wire test 750° C acc. to EN 60695-2-11

Temperatures during installation:

-5°C to 60°C

Temperature range of material:

-30°C to 100°C, intermittent up to approx. 120°C

Voltage:

400 V

Material:

Polypropylene, reinforced glass fibre; sealing: thermoplastic elastomere

Terminals/poles:

2,5 mm²

Fixing:

With mounting clip for snap-on fixing or 2 internal openings outside of the sealing area

Equipment:

10 elastic self-sealing membranes for cable entry without mechanical devices at the side and 2 in the base

- Colour RAL 7035 light grey

- .../S = black

- .../W = white

- .../DR = grey box with red cover

- .../SMB = incl. mounting clip for snap-on fixing

Accessories:

- SMB 108: mounting clip for snap-on fixing,

- DN 48: screwing sleeves for fixing profile rails,

- DIN RAIL KIT 108, 308: Rail TS 35 + Fixing material

Type



L x B x H
external / außen
mm

mm

COMBI 108

10/100

3 - 14



76 x 76 x 51